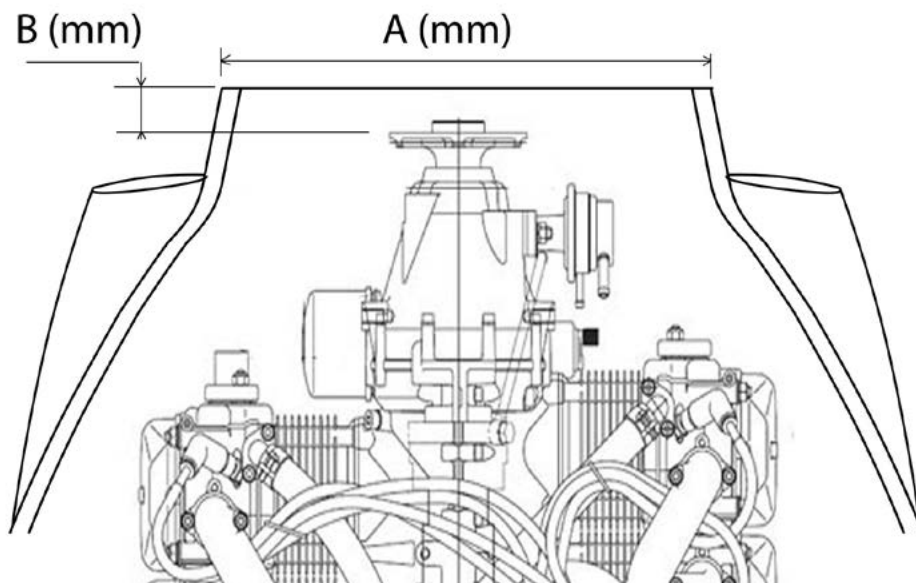
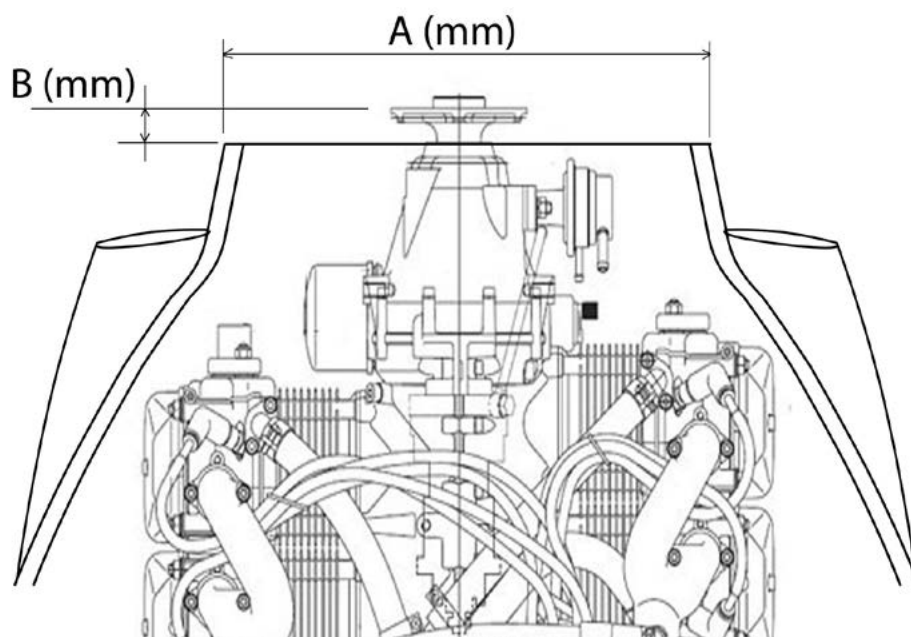


A= diameter of bonnet front (=spinner diameter)  
B= distance between flange plane and bonnet line



CONFIG.  
1

OR



CONFIG.  
2